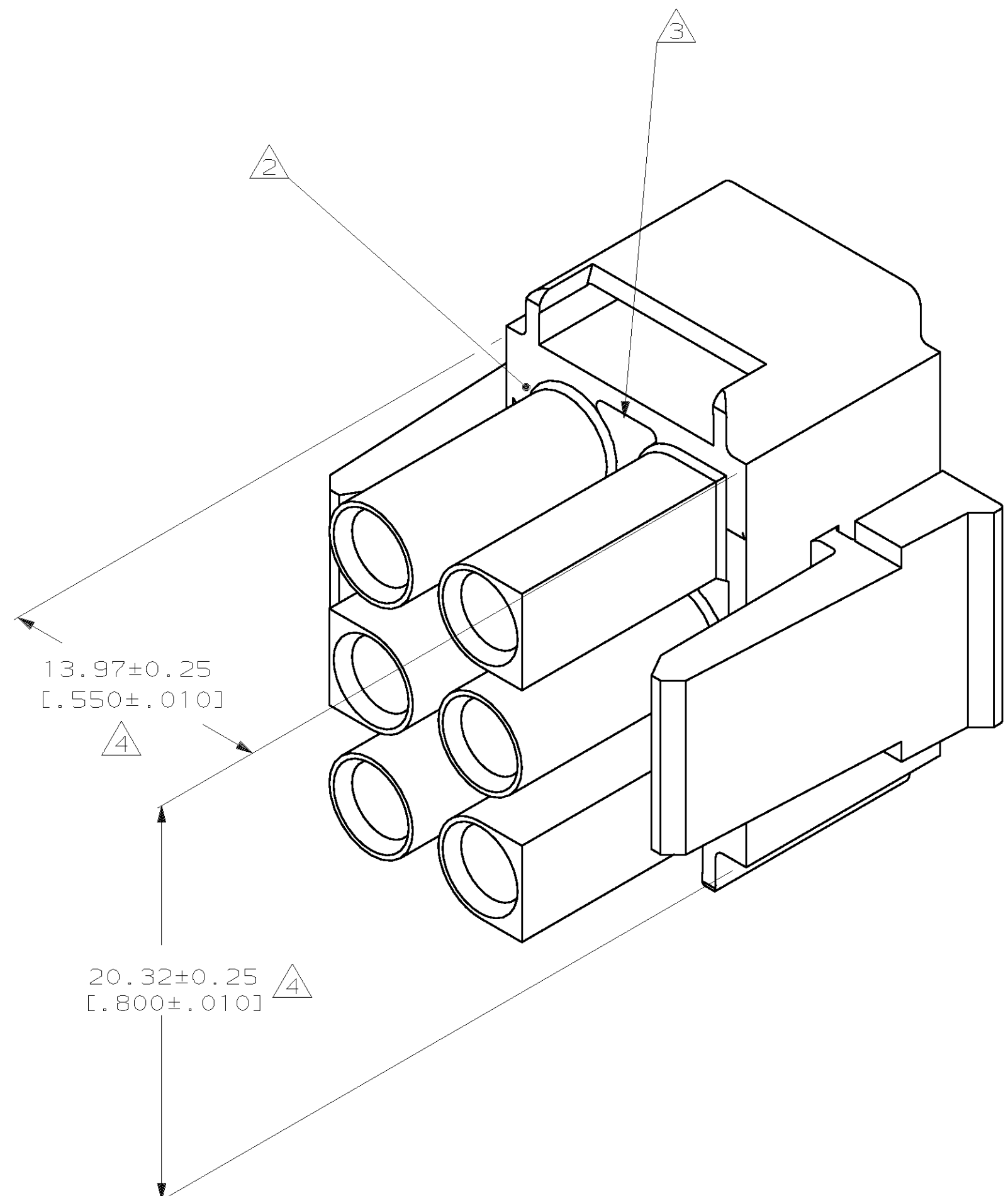


LOC		DIST		P		F		ZONE		LTR		REVISIONS			
CM	53														
												DESCRIPTION	DATE	APPD	
												H	REV PER EC 0L30-0036-97	3-12-97	JH



- MUST BE ASSEMBLED WITH PLUG REAR P/N 770038-1 BEFORE MATING. KIT P/N IS 770020-1.
- AMP LOGO LOCATED THIS SURFACE.
- NEW MOLD CONSTRUCTION PROVIDES MATERIAL REDUCTION CORING AT BASE OF SILOS WITH NO CORING AS OPTIONAL.
- DIMENSION INDICATED IS AS MOLDED. ADDITIONAL GROWTH DUE TO SUBSEQUENT MOISTURE ABSORPTION MAY OCCUR.
- DIMENSIONS IN BRACKETS ARE IN INCHES.

770037-1  
PART NUMBER

**METRIC**

DO NOT SCALE PRINT. UNLESS SPECIFIED DIMENSIONS IN mm		DR 1-15-92 K. SALMON		AMP INCORPORATED Harrisburg, Pa. 17105	
TOLERANCES ON:		CHK 1-15-92 R. SWING			
2. PLC DEC ±		APPD 1-16-92 M. TRULL		NAME	
3. PLC DEC ± 0.13 [.005]		APPD 1-16-92 M. TRULL		PLUG FRONT, 6 CIRCUIT, UNIVERSAL MATE-N-LOK™ II	
ANGLES ±		PRODUCT SPEC			
MATERIAL		APPLICATION SPEC		SIZE	FSCM NO
NYLON, UL94V-0,		WEIGHT		D	00779
				SCALE	DRAWING NO
				5:1	770037
					SHEET
					1 OF 1